

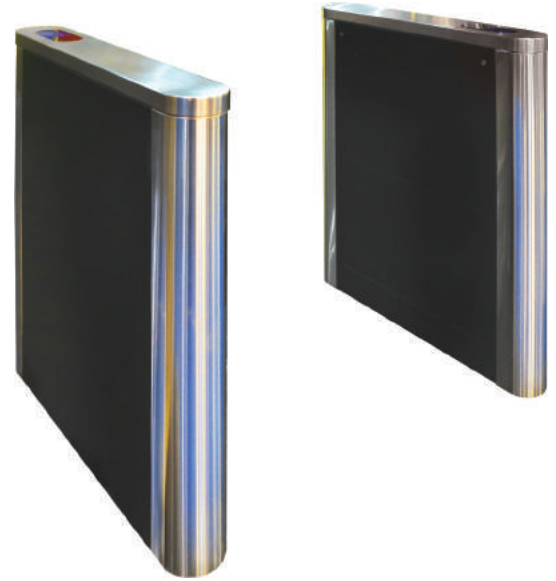
# FREEWAY TURNSTILE OPTICAL

New access control product is Optical turnstile model. This model is designed to create seamless transition from external to internal space.

Housing is equipped with card reader, LED display and access sensors that allow to control access mode. In case of unauthorized invasion mounted alarm function will warn with a distinctive sound.

Optical turnstile body is made from stainless steel that makes this model reliable and appropriate for every environmental condition.

Optical Turnstiles fit for elegant and luxury entrance solutions. Such as museums, offices, entertainment centers, administrative facilities, shops and so on.



 550-1200  
mm  
PASSAGE WIDTH

*OPTICAL TURNSTILE MODEL IS DESIGNED TO CREATE SEAMLESS  
TRANSITION FROM EXTERNAL TO INTERNAL SPACE*

#### Controlled by:

- access control system;
- manual control

When power goes OFF both directions are free.

#### Electrical Specifications:

- Voltage:
  - from the AC (100–240) V, 50/60 Hz
  - from a DC source 12 V
- Maximum power consumption 155 Watt per pass;
- Degree of protection according to GOST 14254-96 - IP41

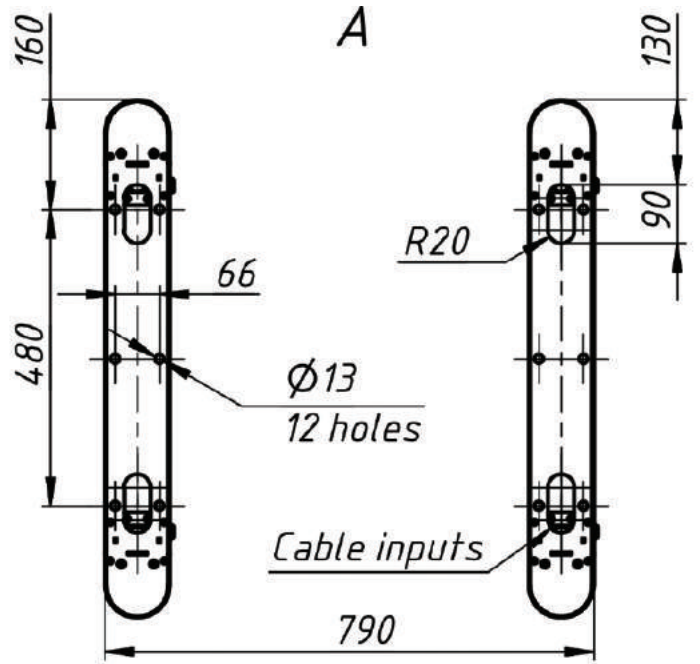
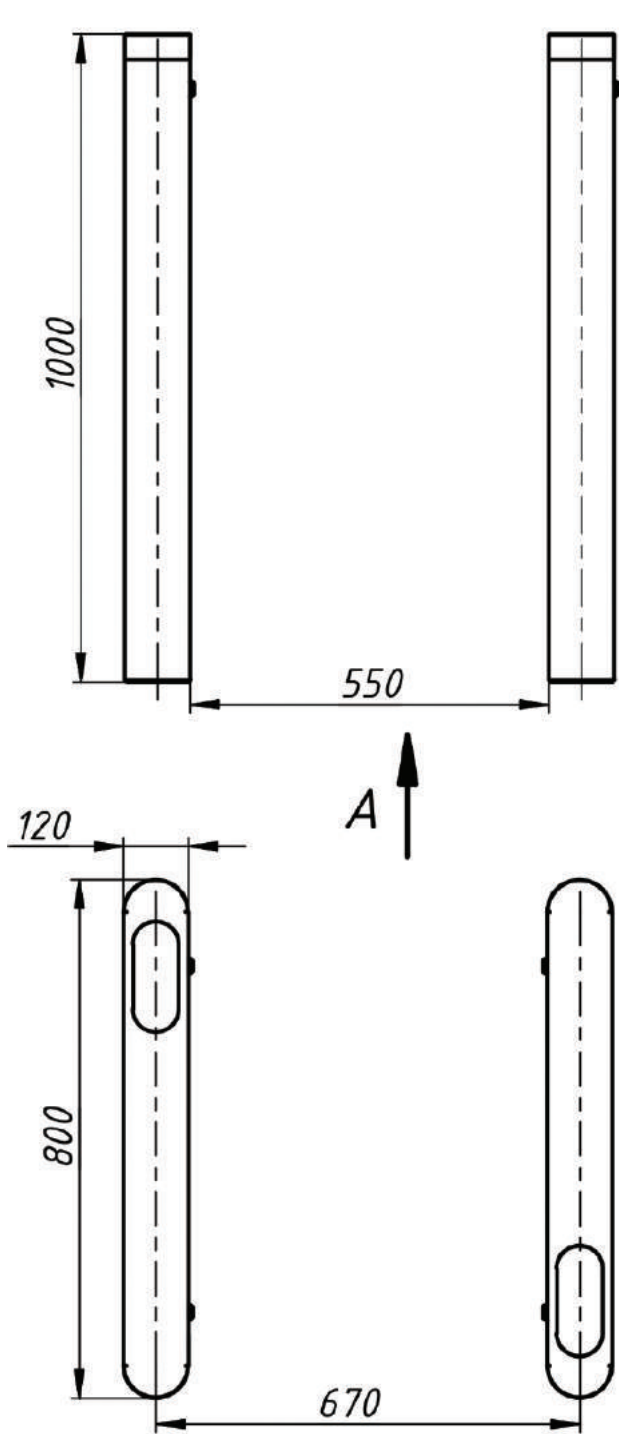
#### Technical Specifications:

Width	Single pass (550 mm) – 790 mm Double pass (550 mm + 550 mm) – 1460 mm
Length	800 mm
Height	1000 mm
Passage width	550 – 1200 mm
Weight	Single pass – 50 kg Double pass – 75 kg

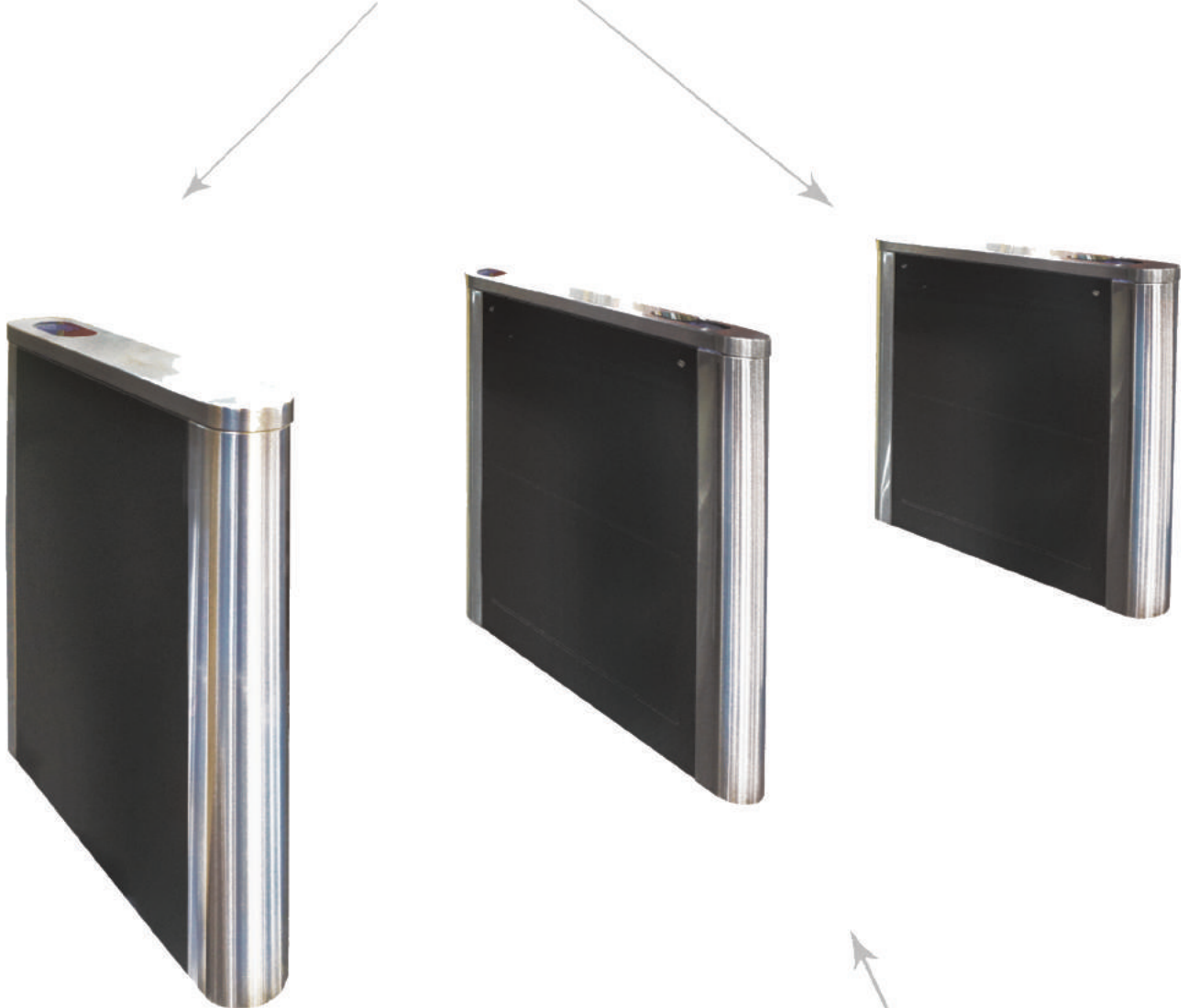


www.tiso.global  
+380 (44) 291-21-11  
e-mail: export@tiso.global





OPTICAL 1



OPTICAL 2



www.tiso.global  
+380 (44) 291-21-11  
e-mail: export@tiso.global

