

CYCLONE-L

HALF-HEIGHT TURNSTILE

Cyclone-L is a type of outdoor shortened full-height turnstile with metal barrier rods.

Barrier rods design may be straight as well as U-shaped. The range of modifications includes three or four rods types and also different type of metal finishing.



**MOST FAVORABLE SOLUTION FOR RECREATION AREAS
AND AMUSEMENT PARKS**

 **533**
mm
PASSAGE WIDTH

 **20**
pers/min
SINGLE ACCESS

 **60**
pers/min
FREE ACCESS

 **IP 41-65***
PROTECTIVE LEVEL

 **BI-DIRECTIONAL**

Key advantages

- Can operate outdoor and indoor that allows to use it without any restrictions in any season and weather conditions
- Wide range of available material and coating, modification, type of rotor assembly
- Whisper quiet, low noise operation
- Successful combination of affordable price and high quality
- Possibility of a barrier gate customization
- Steadfast housing suitable for high traffic areas
- Wide choice of accessories
- Can be integrated with any type of access control systems
- Low power consumption
- Wired remote control panel is in standard kit
- In case of power failure, free rotation (fail-safe)

Options

- Any access control systems upon request (e.g. passage counter, RFID/Proximity/BioMetric readers, coin acceptor, push button, barcode and QR-code reader)
- OEM / logo application
- Heating function for external installation
- Weather pack - IP 54/IP 65
- U-shaped barrier rods
- Fully welded construction
- Fail-secure at power-off
- Ramped base mobile platform
- Ground frame for installation

* available upon request



www.tiso.global
+380 (44) 291-21-11
e-mail: sales@tiso.global



HALF-HEIGHT TURNSTILE

Turnstile Specifications:

| | X-type – 90° | Y-type – 120° |
|-------------------|--|---------------|
| Unit width, mm | 1430 | 1430 |
| Unit length, mm | 1350 | 1168 |
| Unit height, mm | 1314 | 1314 |
| Passage width, mm | 533 | |
| Mechanism | TriServo | |
| Standard housing | Brushed SS AISI 304 | |
| Available housing | Brushed SS AISI 316 Polished SS AISI 304 Polished SS AISI 316 Hot dip galvanized Powder coated RAL | |



Controlled by:

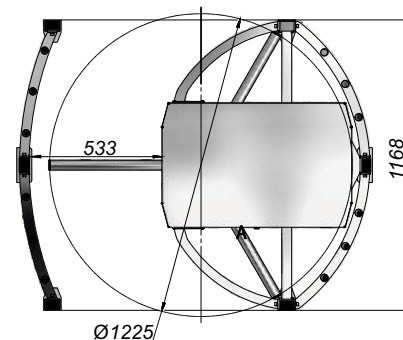
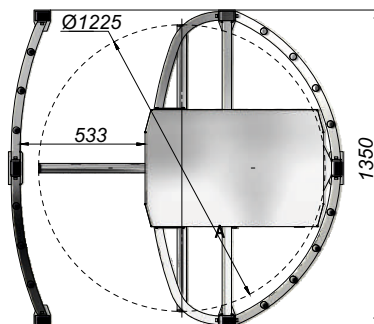
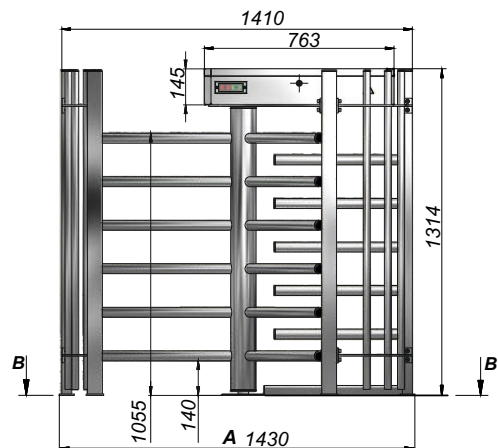
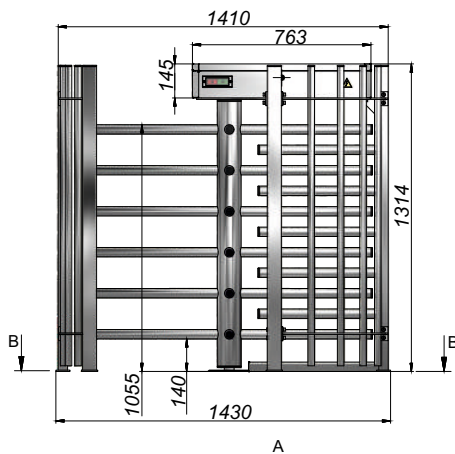
access control system;

manual control

When power goes OFF both directions are free.

Electrical Specifications:

- Voltage:
 - from the AC (100-240)V, 50/60Hz;
 - from a DC source 12 V;
- Maximum power consumption 55W per pass.



Recommended installation areas:

- Sport Complexes
- Recreation areas
- Governmental Institutions
- Production sites (Industrial Plants)
- Commercial areas
- Education Institutions
- Military Bases
- Urban areas
- Financial Institutions and others



www.tiso.global
+380 (44) 291-21-11
e-mail: sales@tiso.global

